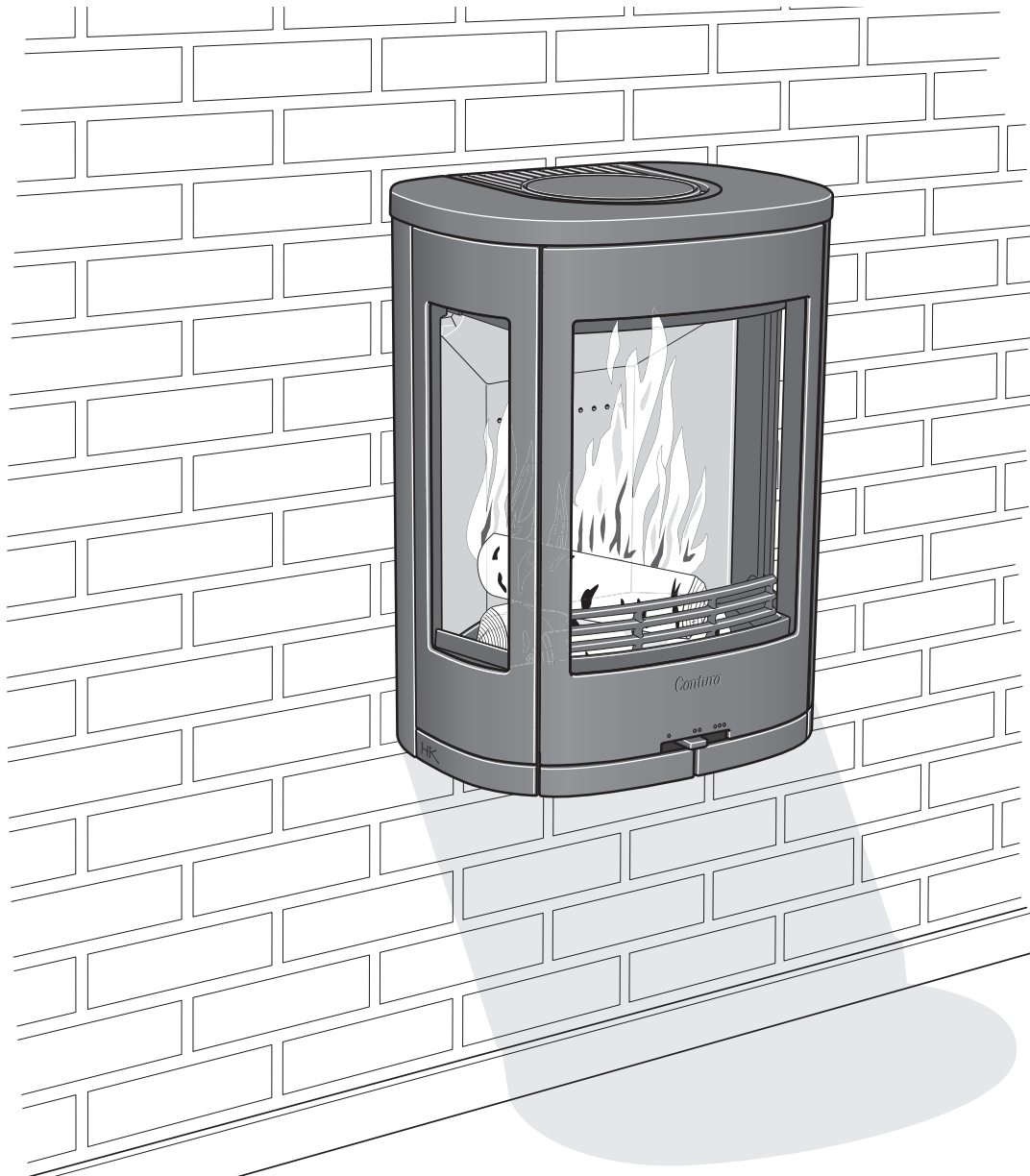


GB	Installation instruction	2
NO	Installasjonsanvisning	17
DK	Monteringsvejledning	33
FR	Guide d'installation	49

Installation instruction



C850W

Contura

Declaration of performance according
to Regulation (EU) 305/2011
No. C850W-CPR-130610-SE-1

Contura

PRODUCT

Product type Stove lit with solid biofuels
Type designation Contura 850W
Manufacturing number See rating plate on the stove
Intended area of use Heating of rooms in residential buildings
Fuel Wood

MANUFACTURER

Name NIBE AB / Contura
Address Box 134, Skulptörvägen 10
SE-285 23 Markaryd, Sweden

CHECKS

According to AVCP System 3
European standard EN 13240:2001 / A2:2004
Test institute Rein-Ruhr Feuerstätten Prüfstelle, NB 1625,
has checked declared performance and issued test report no. RRF-40 11 2656

DECLARED PERFORMANCE

Essential characteristics	Performance	Harmonised technical specification
Reaction to fire	A1 WT	EN 13240:2001 / A2:2004
Minimum distance to combustible material	Side: 500 mm Other safety distances according to the installation instructions	
Risk of falling embers	Pass	
Emissions from combustion	CO 0.07% NO _x 98 mg/m ³ OGC 51 mg/m ³ PM 20 mg/m ³	
Surface temperatures	Pass	
Cleaning options	Pass	
Mechanical durability	Pass	
Emissions of hazardous substances	Pass	
Nominal output	4 kW	
Efficiency	82%	
Flue gas temperature in connector at nominal output	320°C	

The undersigned is responsible for the manufacture and conformity with the declared performance.



Niklas Gunnarsson, Business area manager NIBE STOVES
Markaryd, 1st July 2013



A warm welcome to Contura.

A warm welcome to the Contura family. We hope you will get a great deal of pleasure from your new stove. As a new owner of a Contura stove, you have secured a product with timeless design and long service life. Contura also has a combustion process that is both environmentally friendly and efficient, for the best heat production.

Read through these installation instructions carefully before installation. Read how to best light your stove in the lighting instructions.

List of Contents

Technical details	4
Prior to installation	4
Connection to chimney	5
Installation distances	6
Supply of combustion air	6
Installing C 850W	7
Removal	14

NOTE!

Report the installation of a stove to your local authority.

The owner of the house is personally responsible for ensuring compliance with the mandatory safety requirements and must have the installation approved by a qualified inspector. Your local chimney sweep must also be informed about the installation as this will affect the routines for regular chimney-sweeping services.

WARNING!

The stove becomes very hot

During operation, certain surfaces of the stove become very hot and can cause burn injuries if touched. Also, take heed of the strong heat radiated through the door glass. Placing flammable material closer than the safe distance indicated may cause a fire. Smoulder combustion can cause quick gas ignition with the risk of damage to property and personal injury.

Technical details

Effect	3-6 kW
Nominal effect	4 kW
Efficiency	up to 82%

Model	850W
Height (mm)	615
Width (mm)	460
Depth (mm)	360
Weight (kg)	75

Type approved in accordance with:
 European standard EN-13240
 Swedish approval
 Norwegian standard NS 3059
 German standard DIN Plus

Important to remember!

Installation by authorised technician

This manual contains instructions about how the stove must be assembled and installed. To ensure the function and safety of the stove, we recommend that the installation is carried out by an authorised technician. Contact one of our dealers who can recommend suitable fitters.

Building permission

Before installing a stove or erecting a chimney, it is necessary for you to make an application for building permission to your local authority. Ask your local authority for advice regarding building regulations and the application.

Structural support

The wall must be strong enough to bear the weight of the stove and chimney.

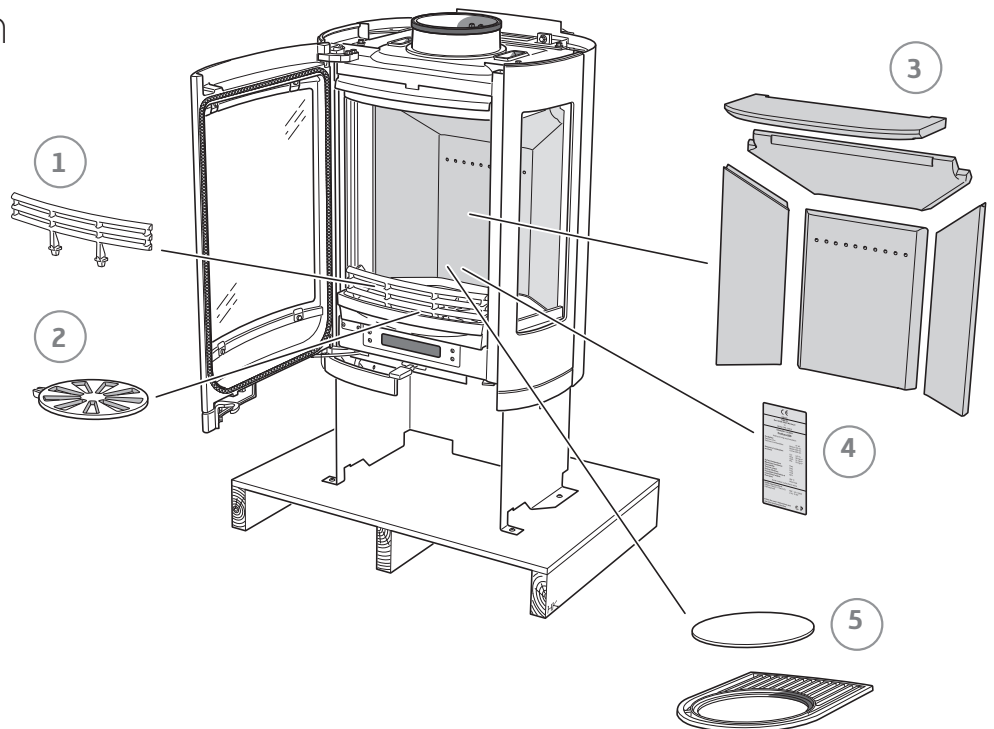
Floor plate

Due to the risk of falling embers, a flammable floor must be protected by a hearth plate. It must extend 300 mm in front of the stove and 100 mm on each side of the stove, or have a 200 mm extension on each side of the opening. The hearth plate can consist of natural stone, concrete, metal plate or glass. A painted metal or glass hearth plate is available as an accessory for these models.

Prior to installation

If the insert needs to be put down to be moved, remove any loose components. This is described at the end of these installation instructions.

- 1 Fire bars
- 2 Grate disc
- 3 Firebricks
- 4 Type plate
- 5 Hot air grate

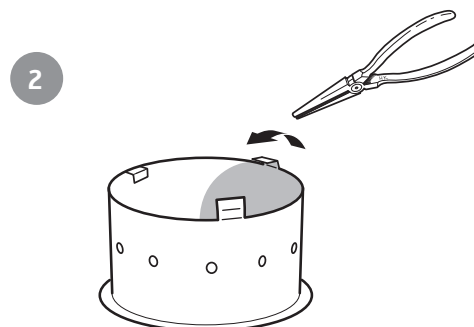
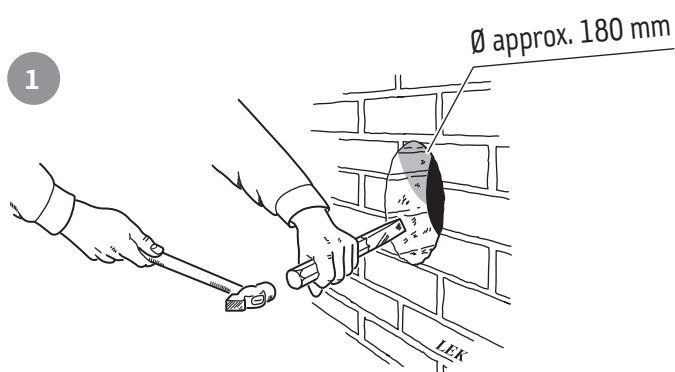


Connection to chimney

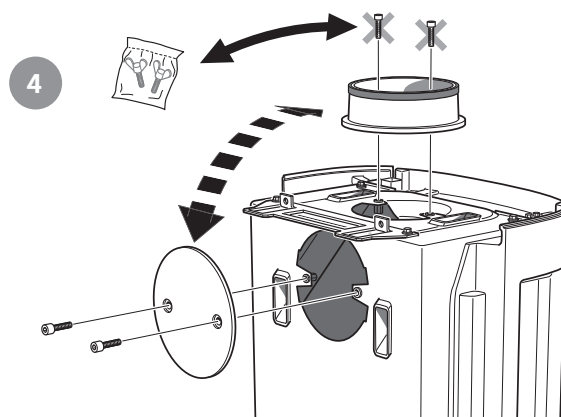
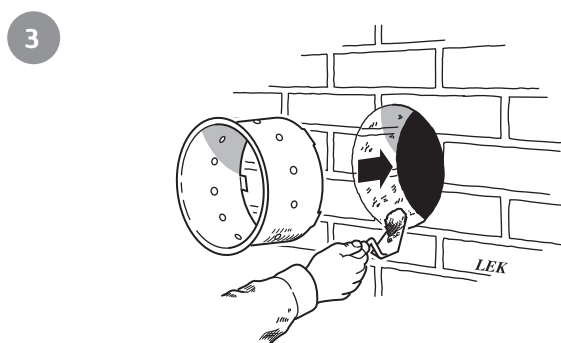
- The stove meets the requirements for connecting to chimneys dimensioned for 350°C flue gas temperature.
- The external diameter of the connection sleeve is 150 mm.
- The stove requires a draft in the chimney of at least -12 Pa. The draft is affected both by the length and area of the chimney, and by how well sealed it is. Minimum recommended chimney length is 3.5 m and suitable cross section area is 150-200 cm² (140-160 mm in diameter).
- A flue with sharp bends and horizontal routing reduces the draught in the chimney. The maximum horizontal flue is 1 m, on the condition that the vertical flue length is at least 5 m.
- It must be possible to sweep the full length of the flue and the soot doors must be easily accessible.
- Carefully check that the chimney is sealed and that there is no leakage around soot doors and flue connections.

Rear connection to a masonry chimney

The back panel must be installed before the stove is rear connected.

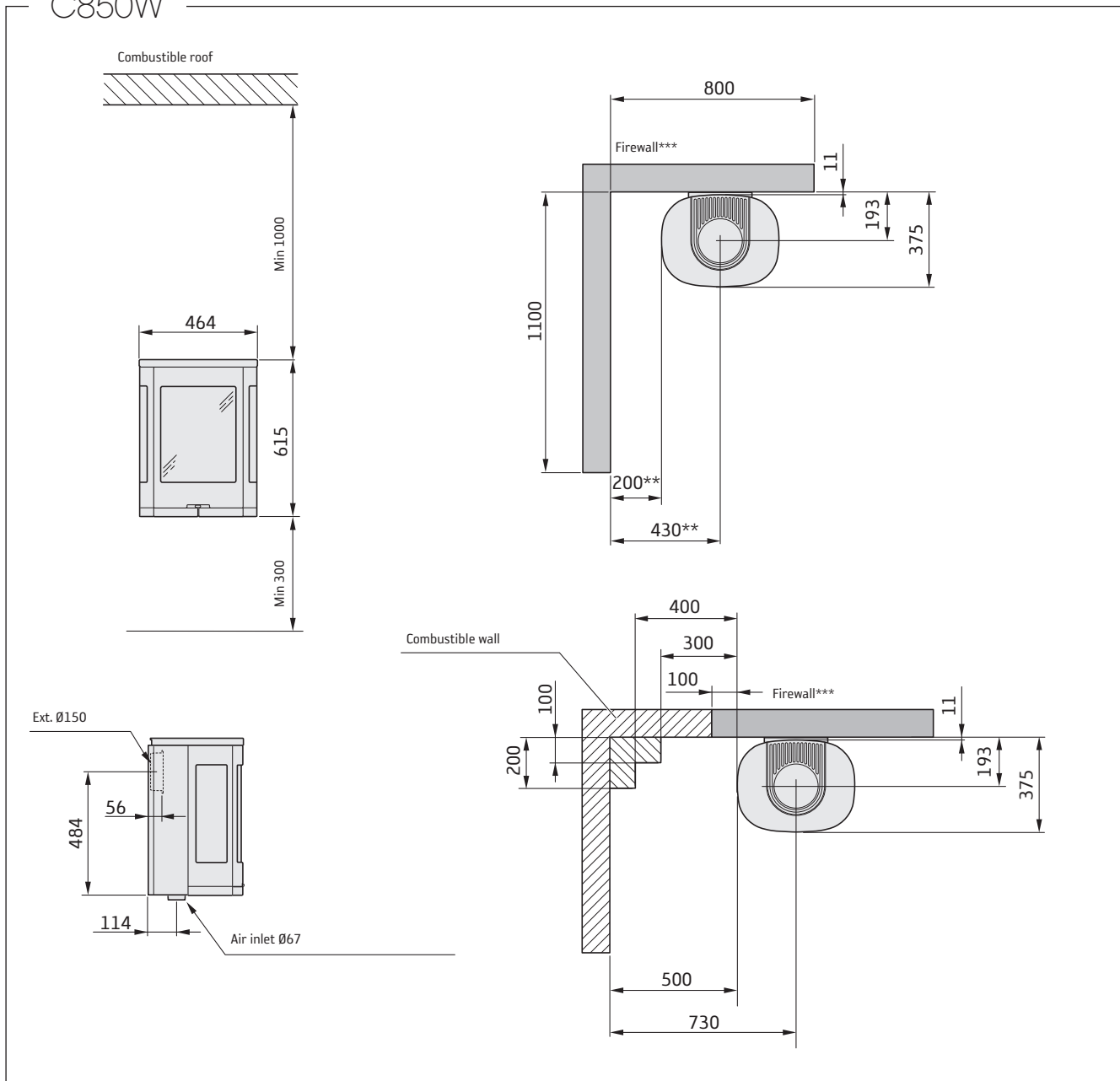


In the bag with these installation instructions are two wing screws for the cover.



Installation distances

C850W

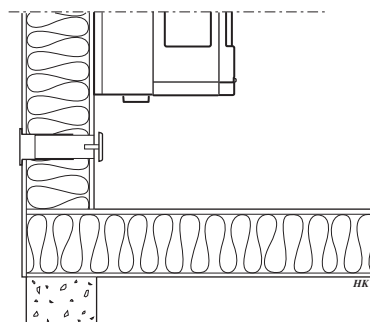


** To prevent discolouration of painted non-flammable walls we recommend that the same side distance as to combustable walls is used.

*** Example of an approved firewall is 120 mm solid brick with the following values: (Thermal conductivity (λ) = 0.6-0.7 W/m *K, Density = 1500-1700 kg/m³, as well as Specific heat capacity (c) = 840 J/kg *K).

Supply of combustion air

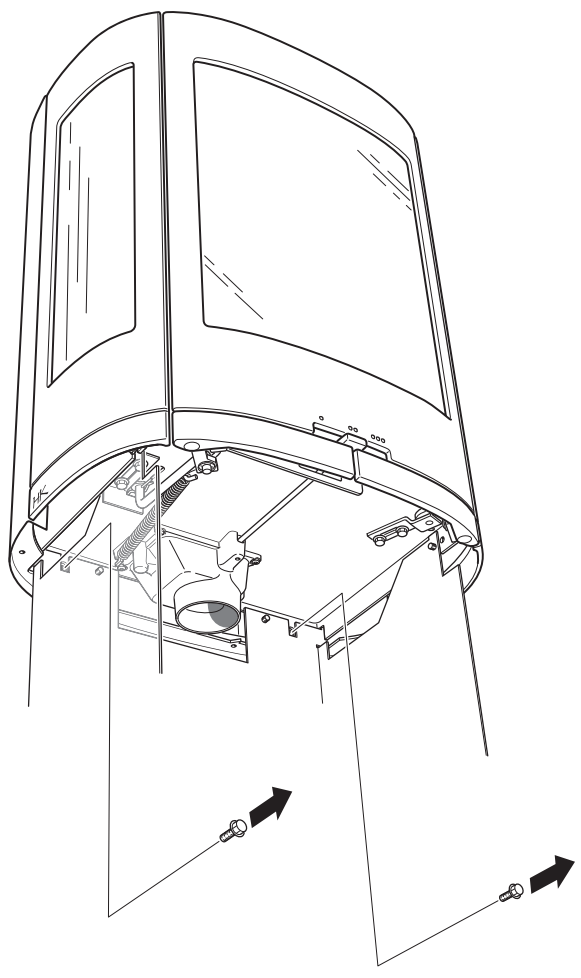
Combustion air can be supplied via a duct from outside, or indirectly via a vent in the outer wall of the room where the stove is placed. The amount of combustion air that is used for combustion is approx. 25 m³/h.



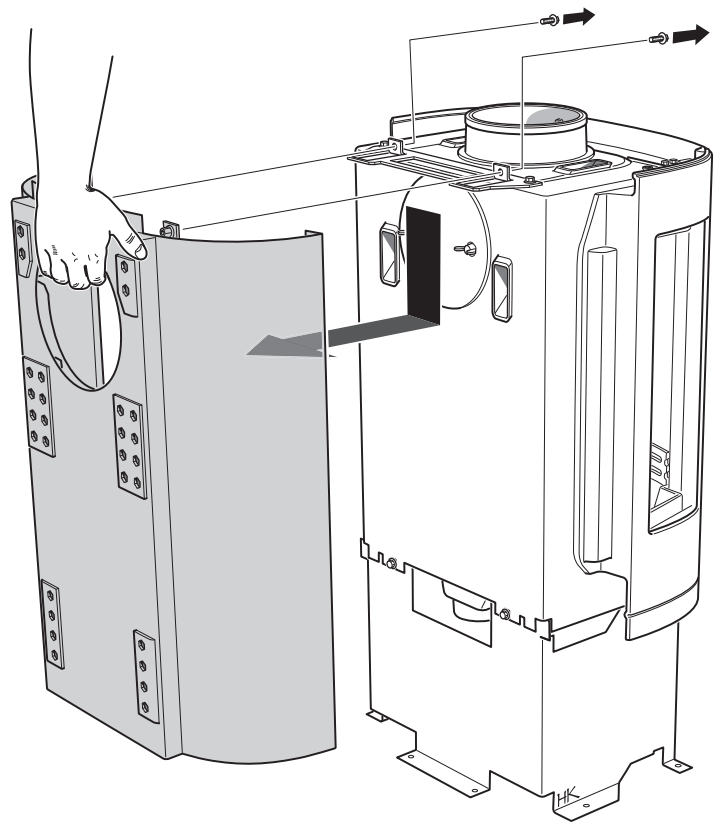
Indirect air supply through the external wall

Installing of C850W

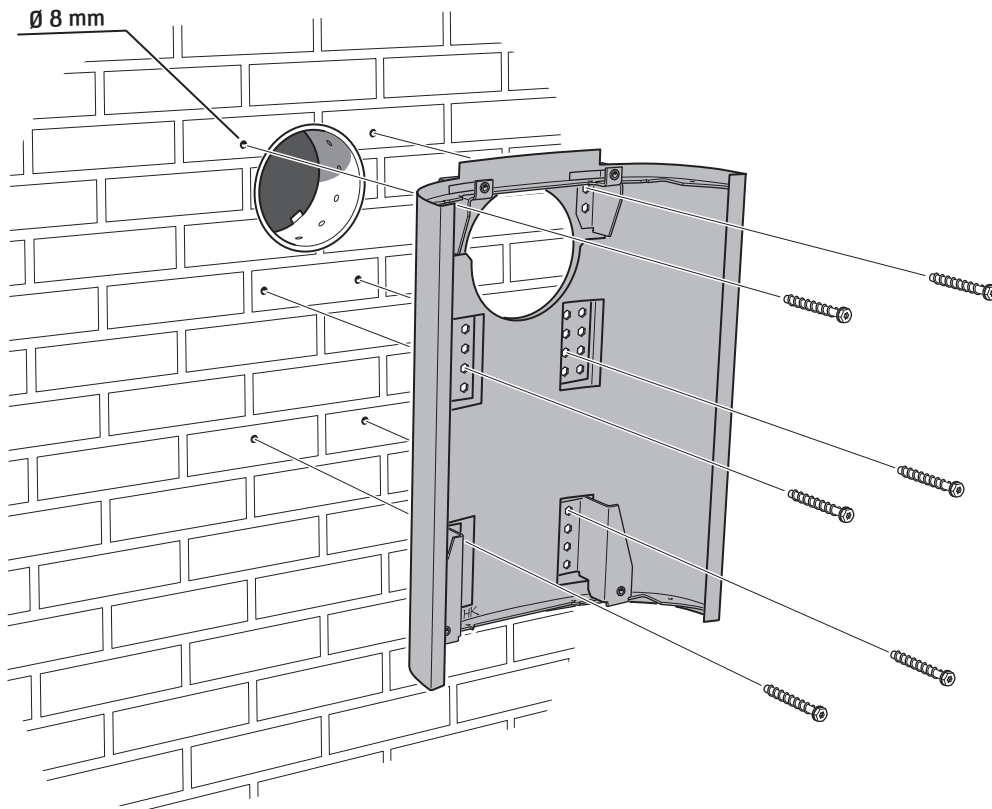
1



2

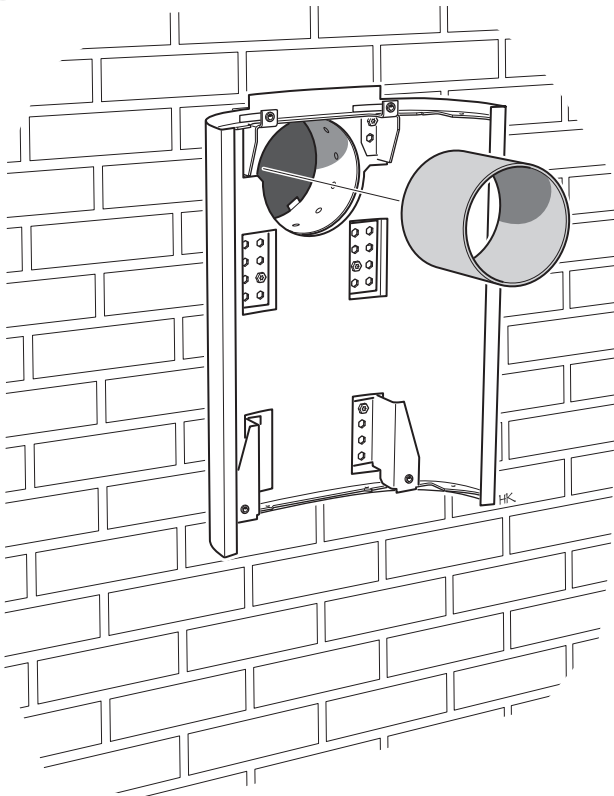


3

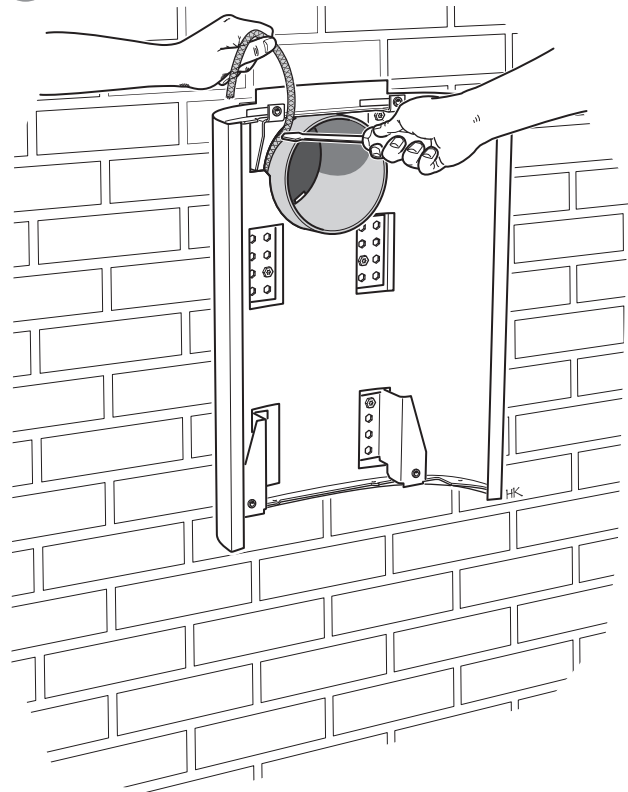


Position the back plate opposite the connector. Check that the back plate is vertical and mark the mounting holes that you intend to use. Choose a hole so that it ends up as far away from any mortar joints as possible. Pre-drill the hole with an 8 mm masonry drill, the hole must be at least 80 mm deep. Clean the hole thoroughly and secure the back plate to the chimney breast with the 6 masonry screws supplied. Screws that do not engage must be considered ineffective and moved to another hole.

4

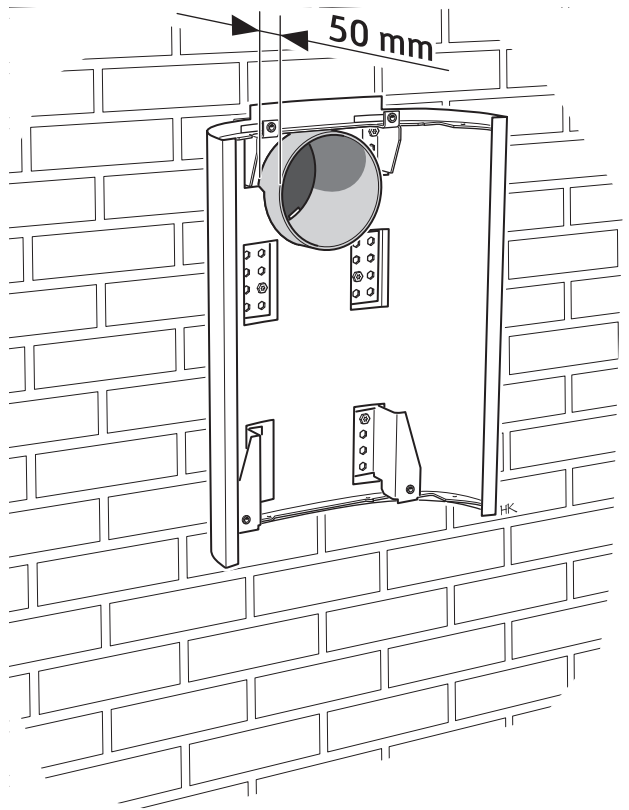


5



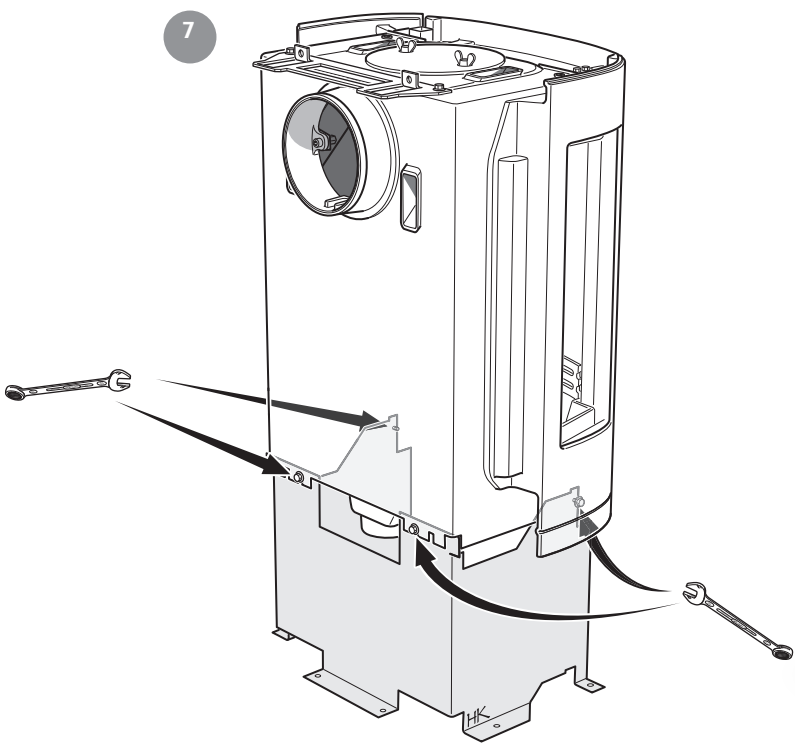
Insert the connection pipe into the wall connector towards the folded tabs.

6



Ensure that the pipe protrudes 50 mm from the back plate and seal using the sealing yarn between the wall connector and the connection pipe. If further sealing material is required, heat-resistant sealant may be used.

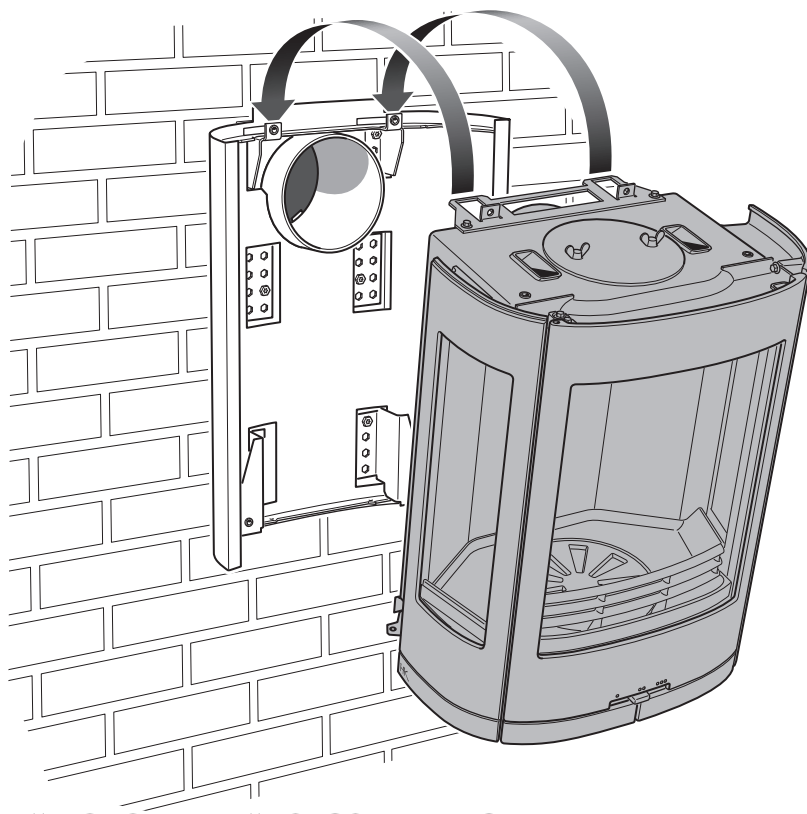
7



8



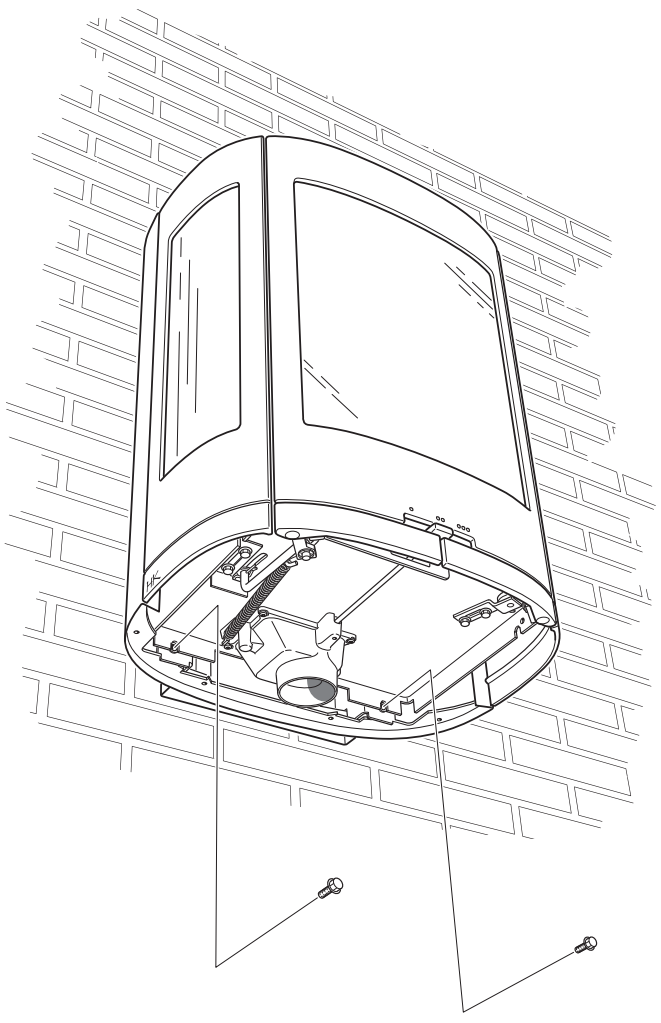
9



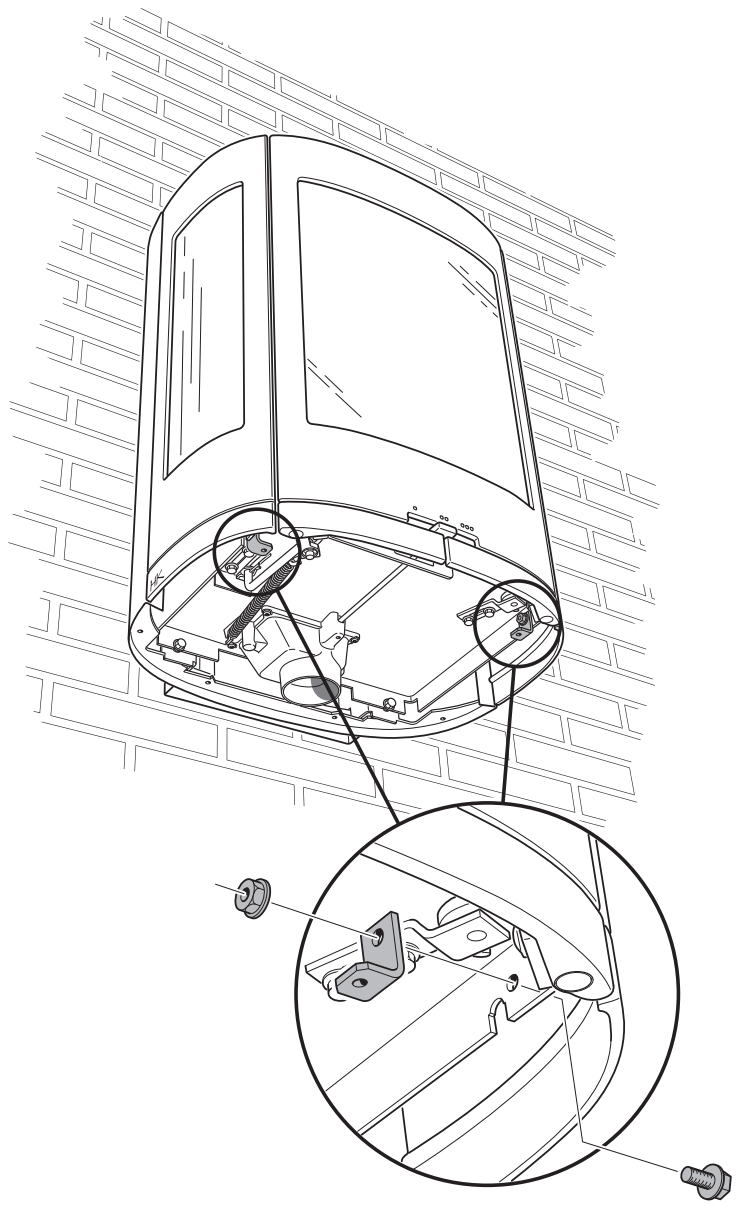
10



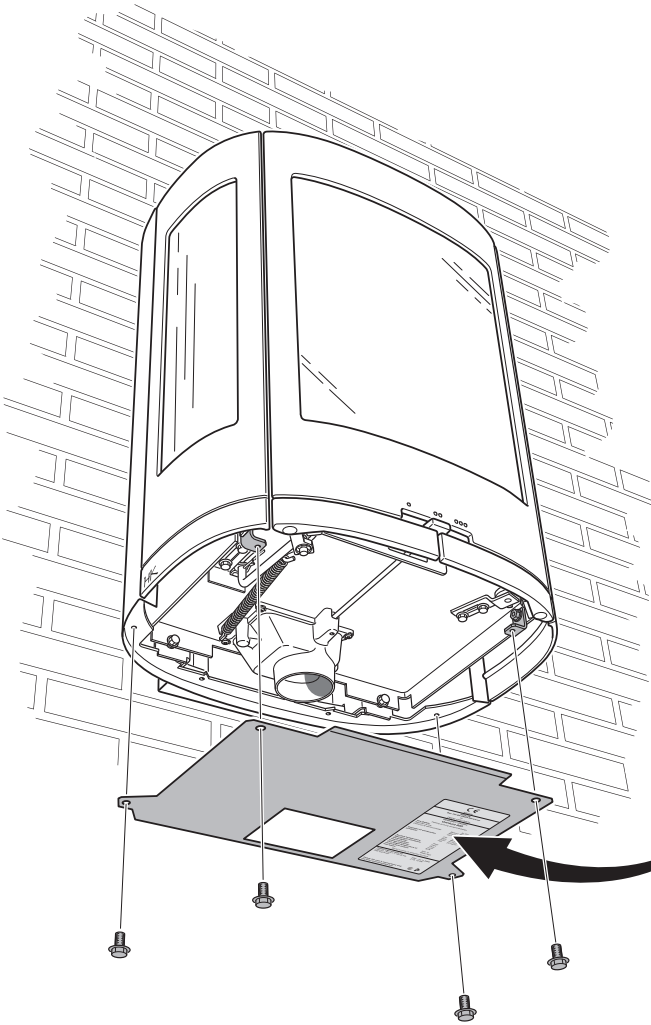
11



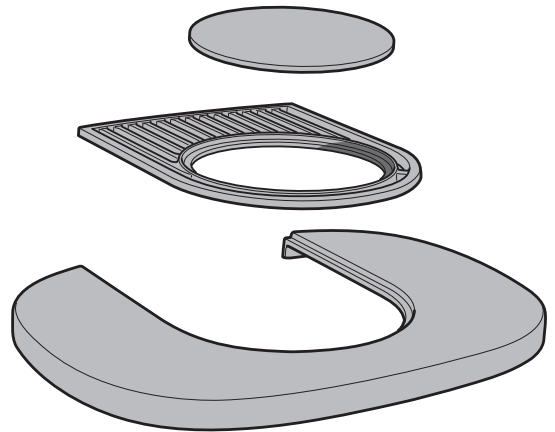
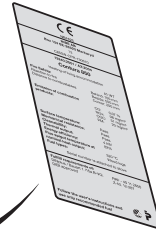
12



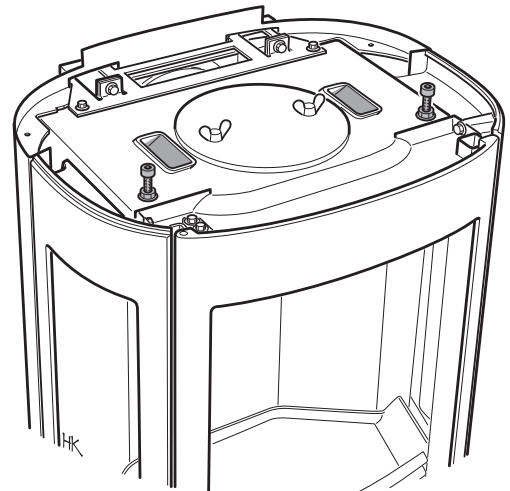
13

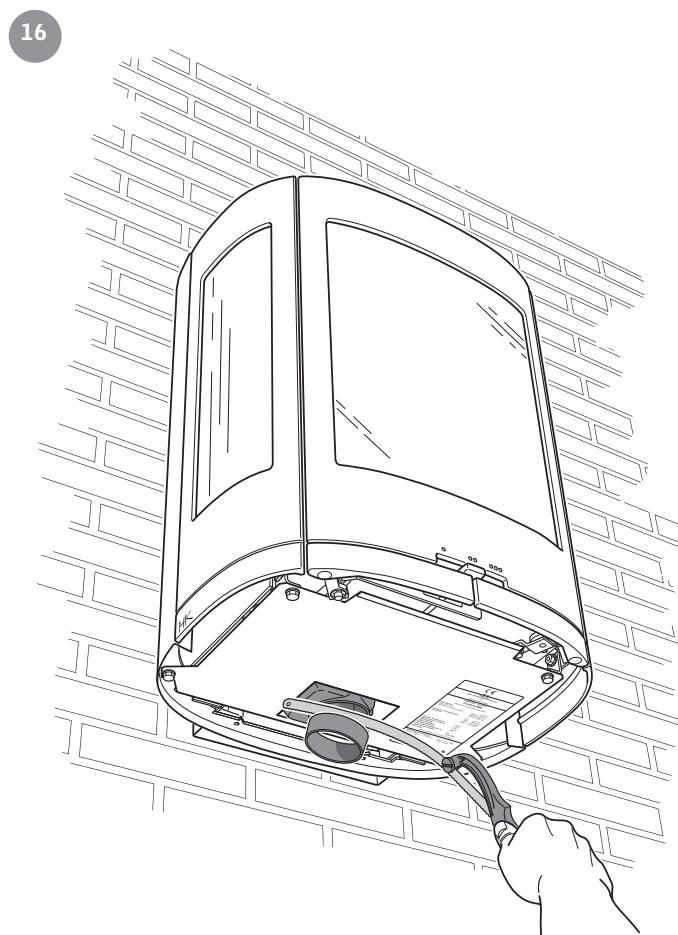
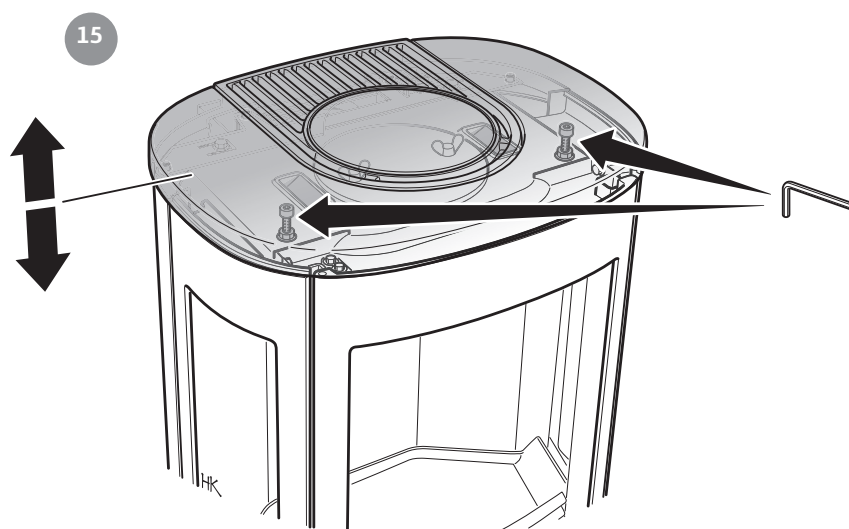


Place the rating plate with production number and installation distance on the protective plate with the plate turned downwards.



14





Final inspection of the installation

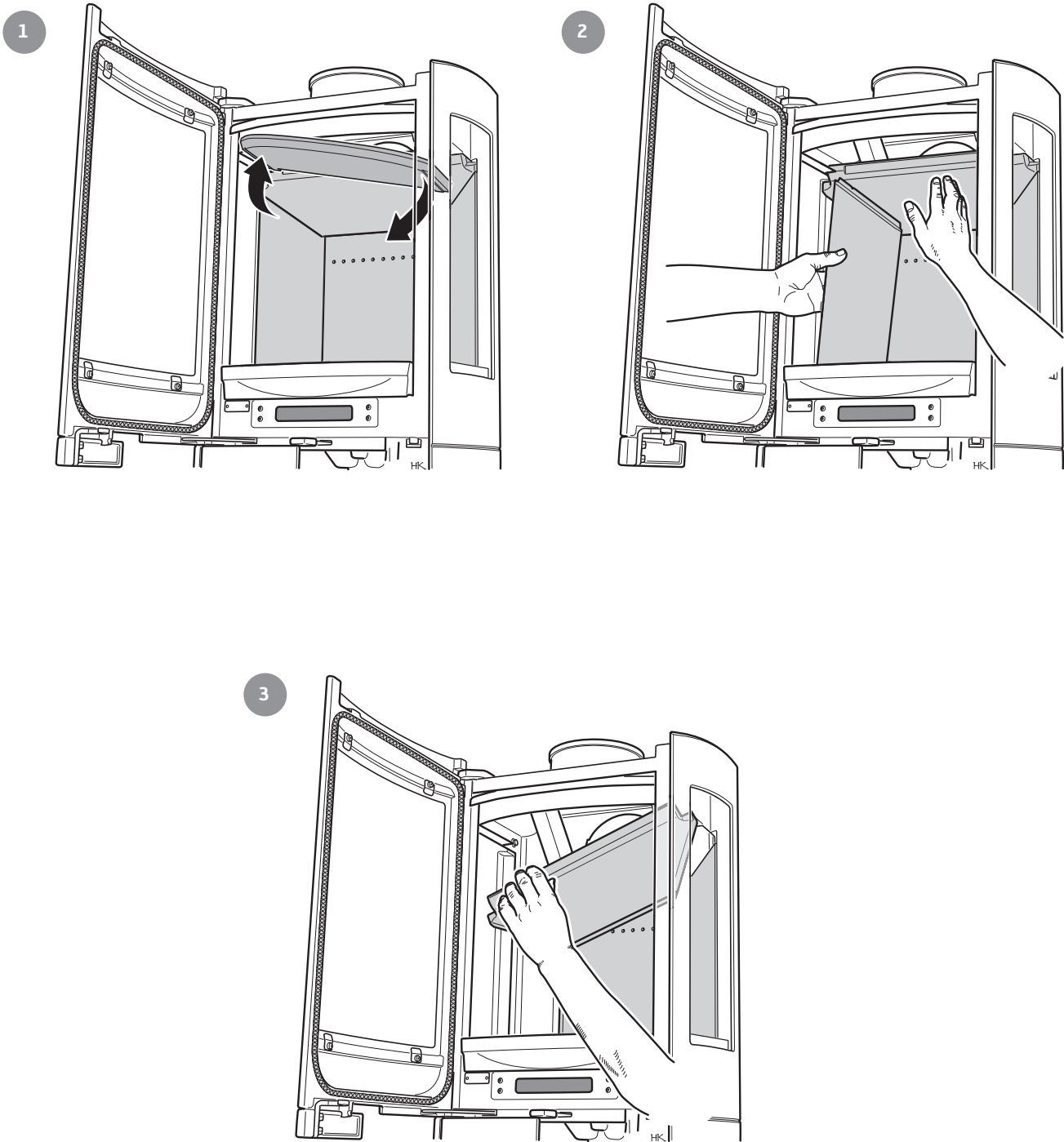
It is extremely important that the installation is inspected by an authorised chimney sweep before the stove is used. Also read the "Lighting instructions" before lighting for the first time.



Removal

How to remove the firebricks

Handle the firebricks with care. Lift the smoke baffle with one hand whilst removing the sides. The side posts need not be removed when sweeping. Reinstall in reverse order.



811241 IAV EX C850W-2
2017-10-30

Contura

NIBE AB · Box 134 · SE-285 23 Markaryd · Sweden
www.contura.se

Contura reserves the right to change dimensions and procedures described in these instructions at any time without special notice. The current edition can be downloaded from www.contura.eu