

**EFEL**

**NESTOR  
MARTIN**

# CLASSIC WOOD STOVES: THE STANFORD RANGE



Stanford 9



Stanford 12



Stanford 9 Plus



Stanford 12 Plus

**EFEL**

# CLASSIC WOOD STOVES: THE STANFORD RANGE

## Standard Features

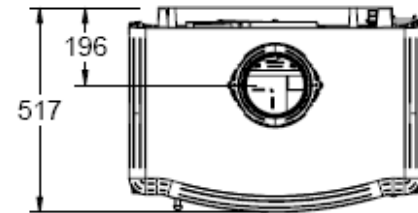
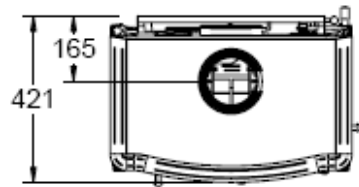
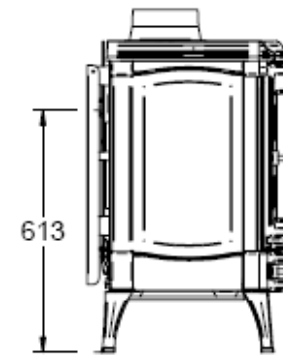
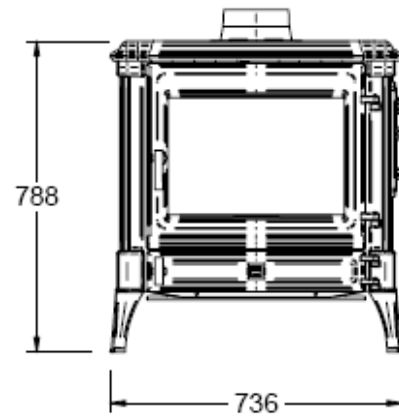
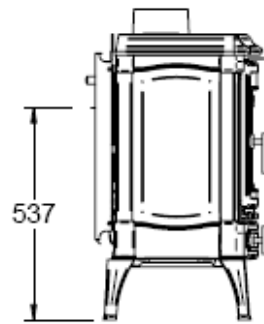
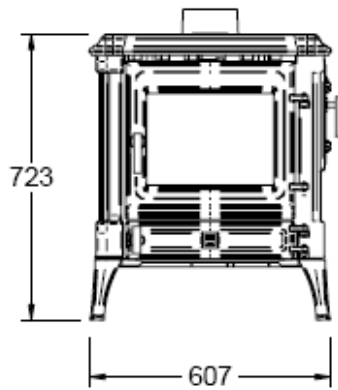
Four models, with two outputs	Start-up air control to facilitate lighting
Side loading door	Bi-mettalic thermostat
Full cast iron construction	Airwash
Top or rear venting	Generous ashpan
Direct draft damper	Cooktop models available (Stanford Plus)
Cast iron inner protection plates	Various enamel finishes available (optional)

Technical Data	Stanford 9 and Stanford 9 Plus	Stanford 12 and Stanford 12 Plus
Heat Output to EN13240	8 kW	11 kW
Maximum heat output	10 kW	16 kW
Efficiency rating	77 %	75.7 %
CO Emissions	0.18 %	0.28 %
Max. log length	450 mm	550 mm
Weight	145 kg	186kg

**EFEL**

# CLASSIC WOOD STOVES: THE STANFORD RANGE

## Dimensions



Stanford 9

Stanford 12

**EFEL**

# CLASSIC WOOD STOVES: THE HARMONY RANGE



Harmony 9



Harmony 12



Bayard 9



Bayard 12

---

**EFEL**

# CLASSIC WOOD STOVES: THE HARMONY RANGE

## Standard Features

Four models, with two outputs	Start-up air control to facilitate lighting
Side loading door	Bi-mettalic thermostat
Full cast iron construction	Airwash
Top or rear venting	Generous ashpan
Direct draft damper	Cooktop models available (Bayard)
Cast iron inner protection plates	Various enamel finishes available (optional)

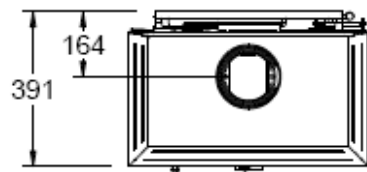
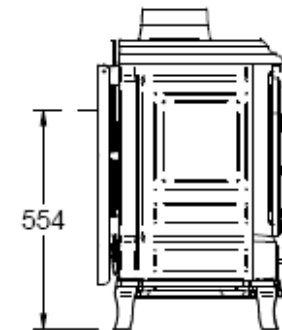
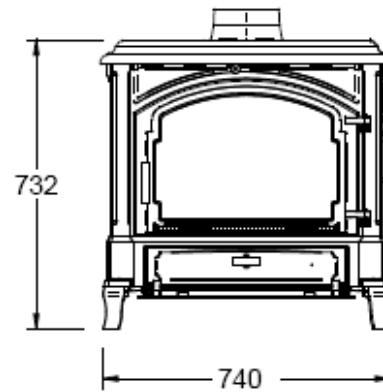
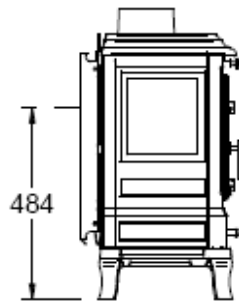
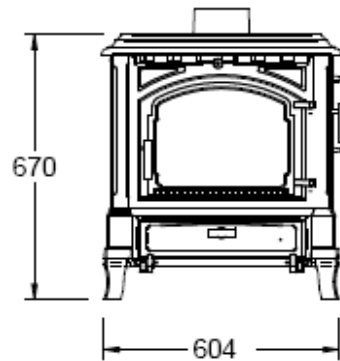
## Technical Data

	Harmony 9 and Bayard 9	Harmony 12 and Bayard 12
Heat Output to EN13240	8 kW	11 kW
Maximum heat output	10 kW	16 kW
Efficiency rating	77 %	75.7 %
CO Emissions	0.18 %	0.28 %
Max. log length	450 mm	550 mm
Weight	145 kg	186kg

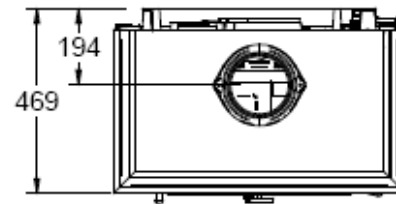
**EFEL**

# CLASSIC WOOD STOVES: THE HARMONY RANGE

## Dimensions



Harmony 9



Harmony 12

**EFEL**

# WOOD / COAL STOVES: THE HARMONY RANGE

## MIXED



Harmony I



Harmony II



Harmony III



Bayard II



Bayard III



# WOOD / COAL STOVES: THE HARMONY RANGE

## MIXED

### Standard Features

Five models, with two outputs	Frontal access trap for ash poker
Burns wood, coal or briquettes	Airwash for wood burning
Full cast iron construction	Secondary air system for coal burning
Removeable coal hopper	Bi-mettalic thermostat for coal burning
Top loading for coal	Generous ashpan
Side loading for wood	Cooktop models available (Bayard)

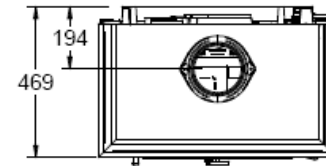
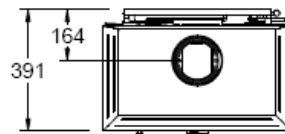
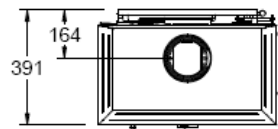
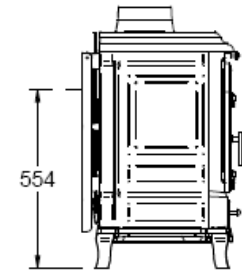
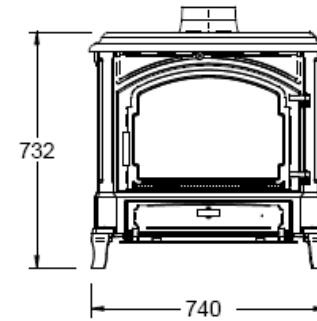
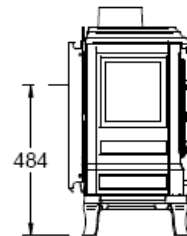
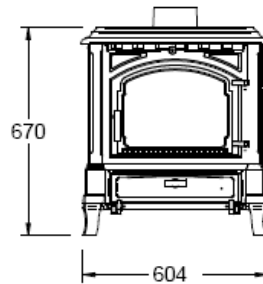
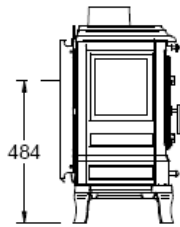
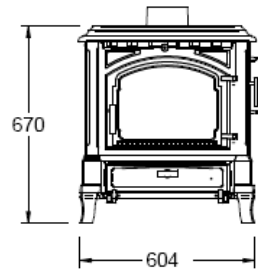
Technical Data	Harmony I	Harmony II and Bayard II	Harmony III and Bayard III
Maximum heat output with wood	9 kW	10 kW	12 kW
Maximum heat output with coal	11 kW	12.5 kW	16 kW
Efficiency rating with wood	77 %	76 %	75 %
Efficiency rating with coal	76 %	72.5 %	80 %
CO emissions with wood	0.06 %	0.09 %	0.08 %
CO emissions with coal	0.09 %	0.011 %	0.03 %

**EFEL**

# WOOD / COAL STOVES: THE HARMONY RANGE

## MIXED

### Dimensions



Harmony I

Harmony II

Harmony III

**EFEL**

# WOODBBOX COLLECTION: THE S RANGE



S13



S23



S33



S43



SP23



SP33



SP43

**EFEL**

# WOODBBOX COLLECTION: THE S RANGE

## Standard Features

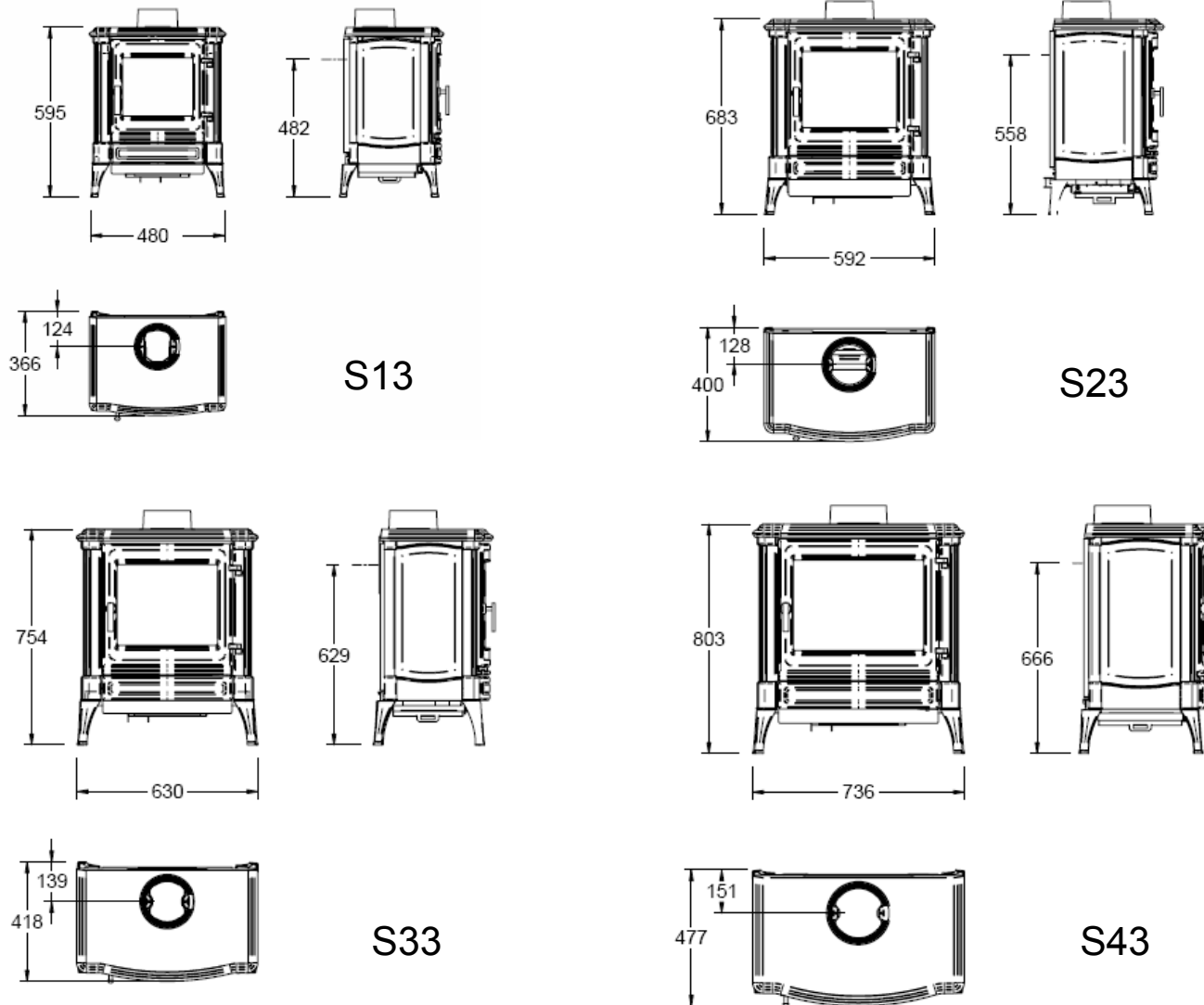
Seven models, with four outputs	Optional remote control available
Woodbox combustion technology	Outside air kit available
Top or rear venting	Generous ashpan
Riddling grate	Cooktop versions available (SP models)
Cast iron inner protection plates	Various enamel finishes available (optional)

Technical Data	S13	S23 and SP23	S33 and SP33	S43 and SP43
Heat Output to EN13240	5 kW	7.5 kW	9.2 kW	10.5 kW
Maximum heat output	6.5 kW	9 kW	12 kW	14 kW
Efficiency rating	77.1 %	77.2 %	80 %	80 %
CO Emissions	0.24 %	0.12 %	0.13 %	0.08 %
Max. log length	305 mm	330 mm	380 mm	500 mm
Weight	108 kg	142 kg	164 kg	184kg

**EFEL**

# WOODBBOX COLLECTION: THE S RANGE

## Dimensions



**EFEL**

# WOODBBOX COLLECTION: THE H RANGE



H13



H23



H33



H43

**NESTOR  
MARTIN**

# WOODBBOX COLLECTION: THE H RANGE

## Standard Features

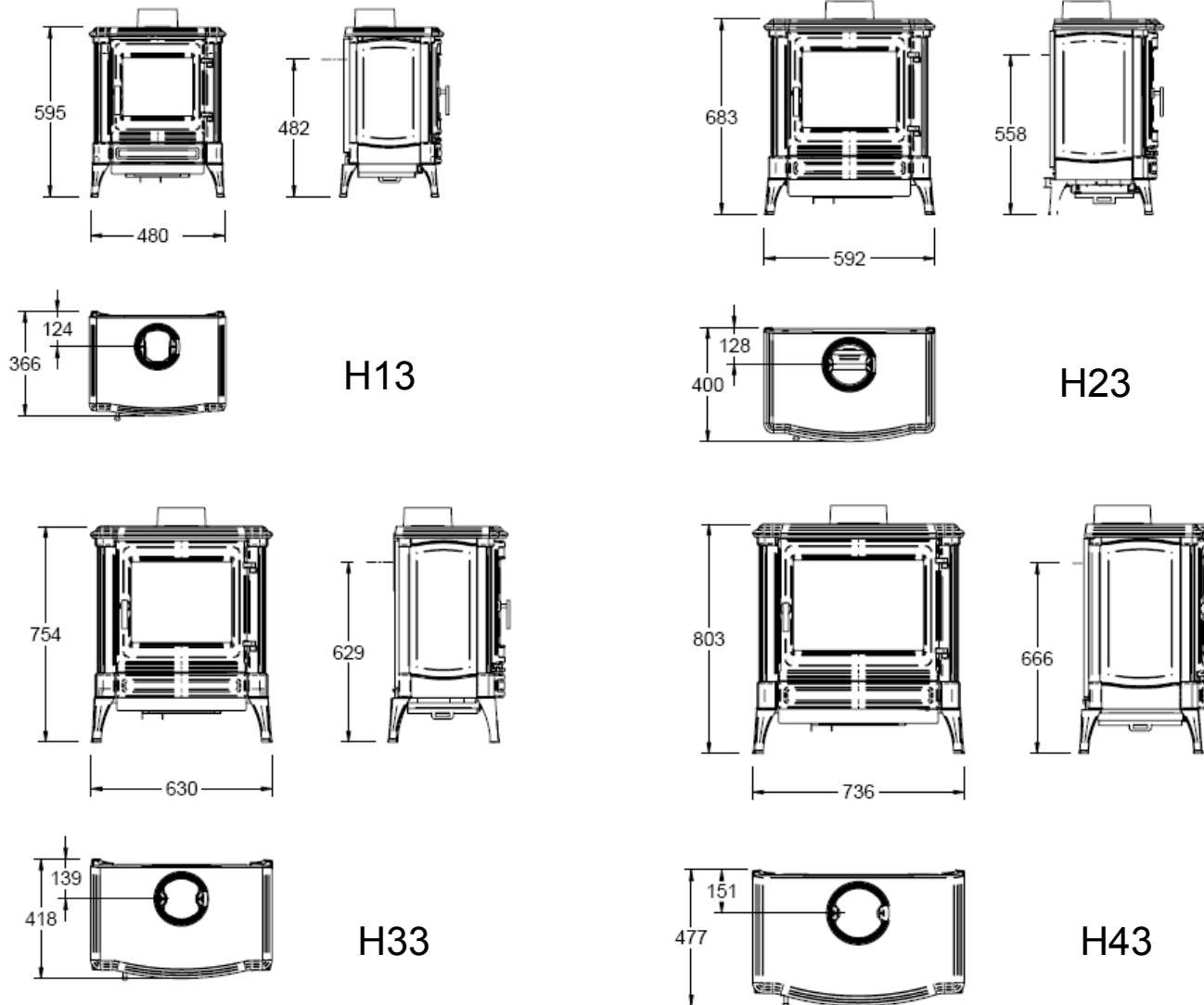
Seven models, with four outputs	Optional remote control available
Woodbox combustion technology	Outside air kit available
Top or rear venting	Generous ashpan
Riddling grate	Cooktop versions available (SP models)
Cast iron inner protection plates	Various enamel finishes available (optional)

Technical Data	H13	H23	H33	H43
Heat Output to EN13240	5 kW	7.5 kW	9.2 kW	10.5 kW
Maximum heat output	6.5 kW	9 kW	12 kW	14 kW
Efficiency rating	77.1 %	77.2 %	80 %	80 %
CO Emissions	0.24 %	0.12 %	0.13 %	0.08 %
Max. log length	305 mm	330 mm	380 mm	500 mm
Weight	108 kg	142 kg	164 kg	184kg

**NESTOR  
MARTIN**

# WOODBBOX COLLECTION: THE H RANGE

## Dimensions



**NESTOR  
MARTIN**



# WOODBBOX COLLECTION: THE C RANGE



C23



C33



C43

**NESTOR  
MARTIN**

# WOODBBOX COLLECTION: THE C RANGE

## Standard Features

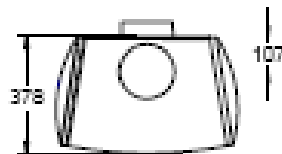
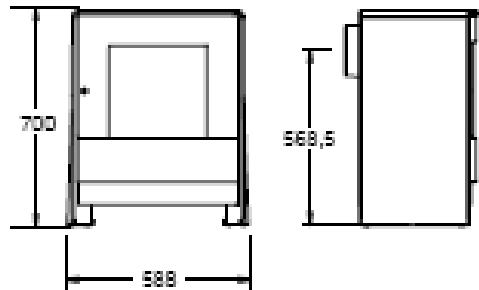
Seven models, with four outputs	Optional remote control available
Woodbox combustion technology	Outside air ready
Top or rear venting	Generous ashpan
Cast iron inner protection plates	Various enamel finishes available (optional)

Technical Data	C23	C33	C43
Heat Output to EN13240	7.5 kW	9.2 kW	10.5 kW
Maximum heat output	9 kW	12 kW	14 kW
Efficiency rating	77.2 %	80 %	80 %
CO Emissions	0.12 %	0.13 %	0.08 %
Max. log length	330 mm	380 mm	500 mm
Weight	104 kg	195 kg	244kg

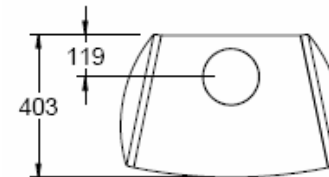
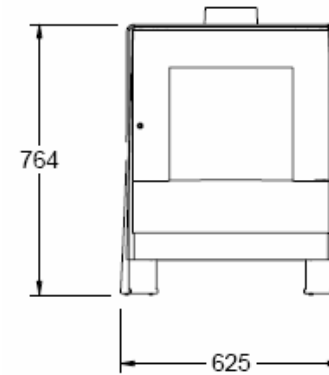
**NESTOR  
MARTIN**

# WOODBBOX COLLECTION: THE C RANGE

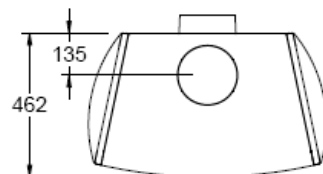
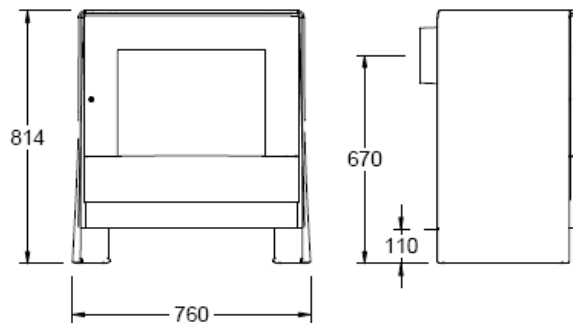
## Dimensions



C23



C33



C43

**NESTOR  
MARTIN**